

Pressure transmitter Model S-20

Modelcode type: S-20

Item number: 14071142

MEASURING RANGE

Measuring range	0 ... 16 bar gauge
Overpressure limit	2 times
Vacuum tightness	yes

OUTPUT SIGNAL

Output signal	4 ... 20 mA, 2-wire
Permissible load in Ω	\leq (power supply - 7.5 V) / 0.023 A

POWER SUPPLY

Power supply	DC 8...35 V
Total current consumption	Current signal, max. 25 mA

ACCURACY INFORMATION

Non-linearity	0.25% BFSL
Accuracy at calibration temperature	$\leq \pm 0.5$ % of span
Long-term drift	$\leq \pm 0.1$ % of span
without additional error at calibration temperature	yes

TEMPERATURE ERROR

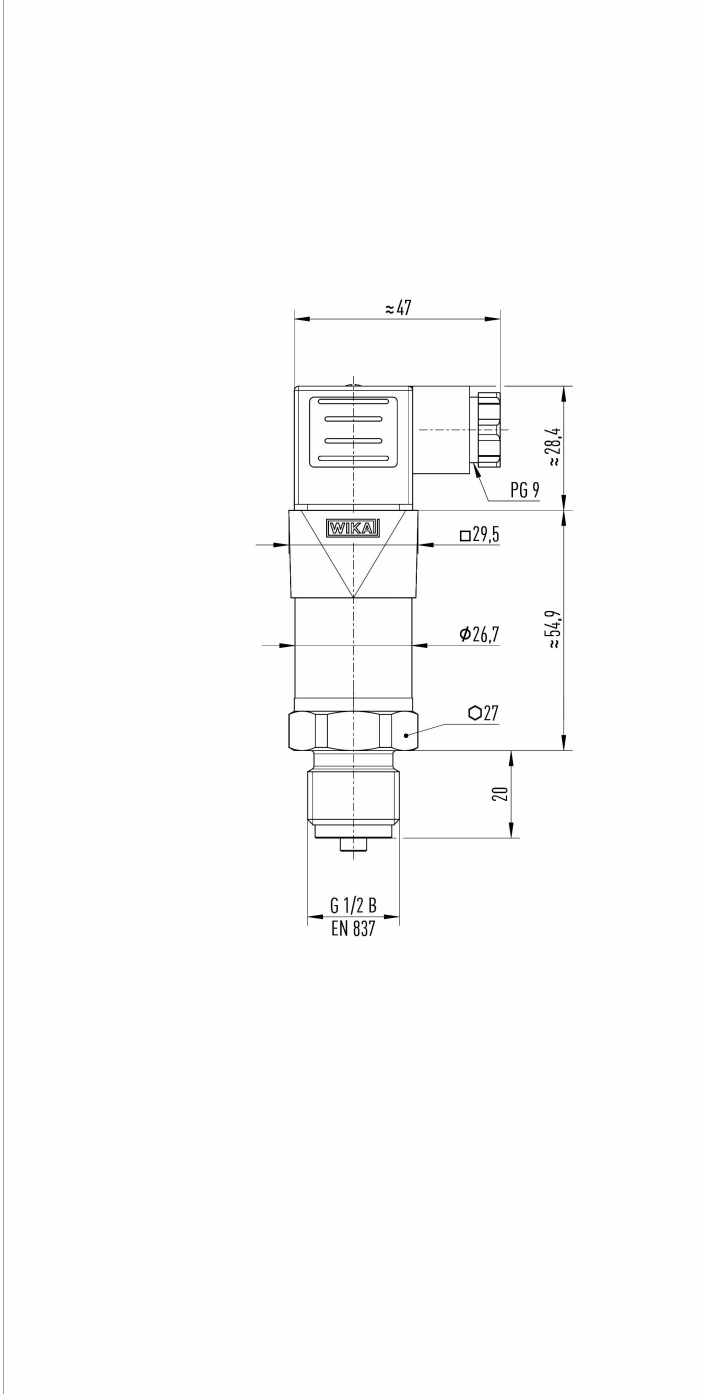
Temperature error -20 ... +80°C	1 %
Temperature error -30 ... +100°C	1.5 %

OPERATING ENVIRONMENT CONDITIONS

Permissible medium temperature	-30...+100°C
Storage and transport temperature	-40 ... +70°C
shock and vibration resistance	100 g shock, 20 g vibration
Service life	100 million load cycle

PROCESS CONNECTION

Process connection	G 1/2 B EN 837
Sealing	copper



Pressure transmitter Model S-20

Modelcode type: S-20

Item number: 14071142

Pressure port D 2.5 mm

ELECTRICAL CONNECTION

Electrical connection angular connector DIN 175301-803 A

Tailoring electrical connection mating connector included

Ingress protection IP 65

pin assignment el. connection U+=1, U-=2
-30 ... +100 °C (-22 ... +212 °F)

item based datasheet headlines ELECTRICAL SAFETY

Short-circuit resistance S+ vs. U-

Reverse polarity protection U+ vs. U-

Insulation voltage DC 750 V

CE-CONFORMITY, APPROVALS AND CERTIFICATES

CE conformity PED 2014/65/EU

CE conformity2 EMC 2014/30/EU

CE-Konformität Teil3 RoHS 2011/65/EU

Approvals cULus